

# BG-PACKSHOT-C10X

1080P Full HD HDMI/USB 3.0 Vertical Live Streaming Box Camera

## User Manual







## TABLE OF CONTENTS

Statement	4
Safety Precaution	4
Introduction	5
Features	5
Packing List	5
Technical Specifications	6
Camera Overview	7
Remote Control	9
Keys Introduction for IR Remote Control	9
Menu Introduction	11
Maintenance and Troubleshooting	14
Application Example	15
Tech Support	16
Warranty	16
Mission Statement	16
Copyright	16



## Statement

---

Please read these instructions carefully before connecting, operating, or configuring this product. Please save this manual for future reference.

## Safety Precaution

---

- To prevent damaging this product, avoid heavy pressure, strong vibration, or immersion during transportation, storage, and installation.
- The housing of this product is made of organic materials. Do not expose to any liquid, gas, or solids which may corrode the shell.
- Do not expose the product to rain or moisture.
- The product has no power switch. Remove power immediately if the camera is not in proper working condition to avoid electrical shock.
- To prevent the risk of electric shock, do not open the case. Installation and maintenance should only be carried out by qualified technicians.
- Installation and use of this product must strictly comply with local electrical safety standards.
- The power supply of the product is  $\pm 12V$ , the max electrical current is 2A.
- Do not use the product beyond the specified temperature, humidity, or power supply specifications.
- This product does not contain parts that can be maintained or repaired by users. Damage caused by dismantling the product without authorization from BZBGear is not covered under the warranty policy.
- Installation and use of this product must strictly comply with local electrical safety standards.
- Do not turn the camera head manually. Doing so may result in mechanical damage. Camera should only be placed on a stable horizontal surface and cannot be installed at an angle.
- Make sure there are no obstacles within the camera's rotational range when installing. Never power on before installation has been completed.



## Introduction

---

Go viral with the BG-PACKSHOT-C10X! This 1080p HD camera features fast, accurate near-field auto-focus, an integrated stereo microphone, and the ability to swap between landscape and portrait formats with the flip of a switch. Specifically designed for content creators, this camera makes it easy to create high-quality videos and streams with crisp audio and accurate color reproduction.

Ideal for up-close and personal shoots, the BG-PACKSHOT-C10X is a versatile solution for capturing videos and photos meant to be viewed on both traditional monitors as well as mobile devices. This makes it possible to record not only for wide format platforms like YouTube, but also for vertical-focused content like TikTok and YouTube Shorts.

## Features

---

- **Full HD Resolution:** 1/2.8 inch high quality CMOS sensor. Resolution is up to 1920x1080 with frame rate up to 30fps.
- **Optical Zoom Lens:** 10X optical zoom lens and 68.8° wide angle lens.
- **Multiple Video Interfaces:** HDMI, USB3.0; Simultaneously output audio and video signal
- **Leading Auto Focus Technology:** Fast, accurate, and stable auto focusing technology.
- **Horizontal and Vertical Screen:** Allows the user to switch formats from landscape to portrait to optimize for mobile devices.
- **Built-in microphone:** Dual microphone array with a 6 meter omnidirectional pickup pattern (optimal pickup distance is 3 meters) and a noise suppression algorithm which enhances voice capture.
- **Multiple Audio/Video Compression Standards:** YUY2 / NV12 / MJPG / H.264 / H.265 video compression format.
- **Low Noise and High SNR:** High SNR image is achieved with low noise CMOS. Advanced 2D/3D noise reduction technology further reduces the noise while ensuring high image clarity.
- **Easy to use:** No need to download drivers, USB output is plug and play with a convenient user experience.

## Packing List

---

- 1x BG-PACKSHOT-C10X Camera
- 1x User Manual
- 1x Wireless Remote Control
- 1x Quick Start Guide
- 1x USB3.0 Cable



## Technical Specifications

Camera Parameter			
Sensor	1/2.8 inch sensor		
Effective Pixels	2 Megapixel, 16:9		
Video Format	<b>HDMI Video Format:</b> 1080I@60fps, 1080I@50fps, 1080P@30fps, 1080P@25fps, 720P@60fps, 720P@50fps <b>USB 3.0 Interface Video Format:</b> <b>Horizontal Screen:</b> 1920×1080@30fps, 1280×720@30fps, 1024×576@30fps, 960×540@30fps, 800×448@30fps, 640×360@30fps, 640×480@30fps, 320×176P@30fps <b>Vertical Screen:</b> 1080×1920@30fps, 720×1280@30fps, 576×1024@30fps, 540×960@30fps, 448×800@30fps, 480×720@30fps, 480×640@30fps		
View Angle	8.8°~68°		
Focus Length	f=4.34mm~41.66mm		
AV	F1.85 ~ F2.63		
Optical Zoom	10X		
Minimum Illumination	0.1Lux (F1.8, AGC ON)		
DNR	2D&3D DNR		
Super Auto noise reduction	On/Off		
White Balance	Auto / Manual / One Push / 3000K / 3500K / 4000K / 4500K / 5000K / 5500K / 6000K / 6500K / 7000K		
Focus	Auto / Manual / One Push Focus		
Exposure	Auto / Manual		
BLC	On/Off		
SNR	>50dB		
Vertical Screen Switch	On/Off		
Focus Assist	On/Off		
Minimum Object Distance	10cm(W)~100cm(N)		
Input/Output Interface			
Video Output	USB Interface: USB 3.0 HDMI Interface: HDMI 1.4		
Video Compression Format	YUV, NV12, MJPEG, H.264		
Audio Input	Built-in 2 MIC pickups		
Control Interface	USB		
Other Parameter			
Input Voltage/Current	Voltage	Power Adapter	12
		USB	5V
	Current	Power Adapter	0.425
		USB	1A(Max.)
Power Consumption	5W (Max.)		
Stored Temperature	-10°C~+60°C		
Stored Humidity	20%~90%		
Working Temperature	-10°C~+50°C		
Working Humidity	20%~80%		
Dimension (W*H*D)	78 x 138 x 78mm		
Weight	1.3 lbs [0.6Kg]		
Application	Indoor		



## Camera Overview

---

### Camera Interfaces

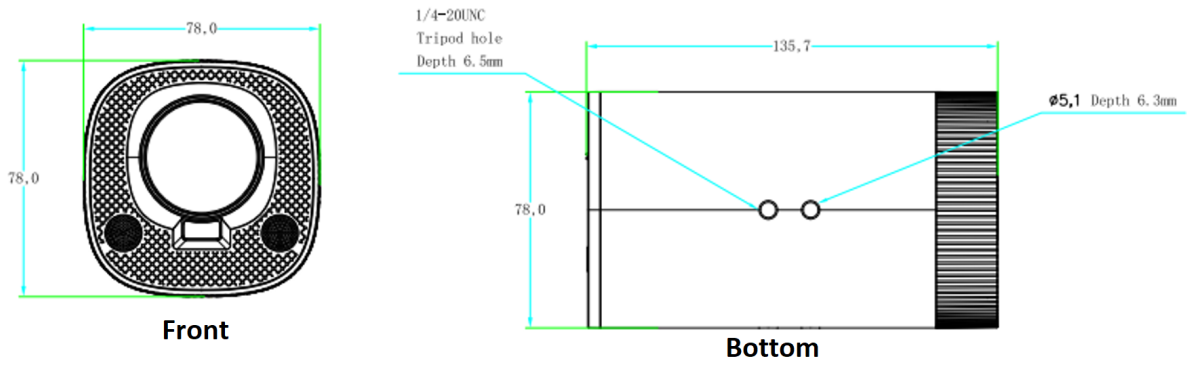
---



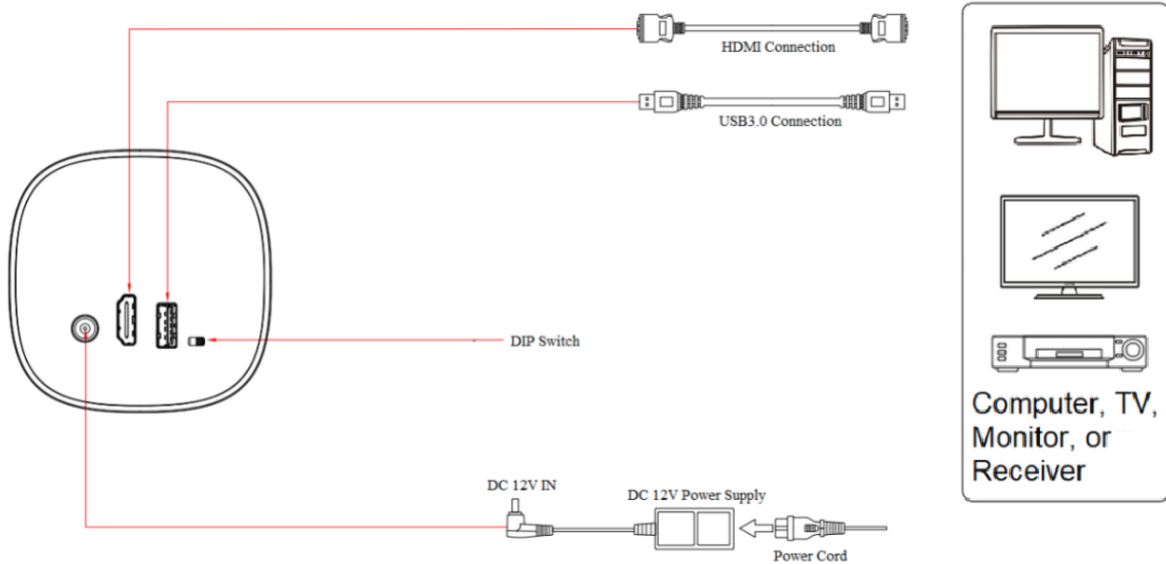
1. **Power:** Connect supplied 12V power adapter.
2. **HDMI:** Connect to an HDMI device such as a video production switcher or a video display up to 1080p@30Hz.
3. **USB:** Connect a USB 3.0 cable to a PC for plug & play connectivity for any conferencing service like Skype or Zoom, supporting resolutions up to 1080p@30Hz.



## Dimensions



## Interfaces and Connection







## Remote Control

### Match Code for Wireless Remote Control



#### One-to-One Code Matching:

Press the "set" and "\*" keys combined for 3 seconds, LED indicator starts flashing. Camera will receive the signal and power on. The LED indicator will turn off if the code matching is successful. The camera can be controlled by the wireless remote control only after one to one code pairing.

If one-to-one code matching fails, the red LED light flashes for 20 seconds and then will go off. The camera will halt code matching and activate sleep mode; Hold the power for 3 seconds to wake the camera up and re-match code.

**Note:** Upon matching code successfully, please select the camera's address to control it.

#### Clear Code:

Press the "set" and "\*" keys combined for 3 seconds, the LED indicator will start flashing. Camera will power off and on and the LED indicator will go off if the code clearing is successful.

#### Sleep Mode and Wake Up:

Press and hold the power button for 3 seconds to wake up the camera from sleep mode.

### Keys Introduction for IR Remote Control

- In this manual, "press the key" means a click rather than a long-press, and a special note will be given if a long-press for more than one second is required.
- When a key-combination is required, do it in sequence. For example, [\*]+[#]+[F1] means press ["\*"] first and then press ["#"] and last press ["F1"].

#### 1. Standby Key

The camera enters standby mode if the power button is pressed for 3 seconds. Press and hold power for 3 seconds to wake up the camera and it will perform the system self-check again and return to the HOME position (If preset (0) position is set, the camera will return to the preset (0) position).

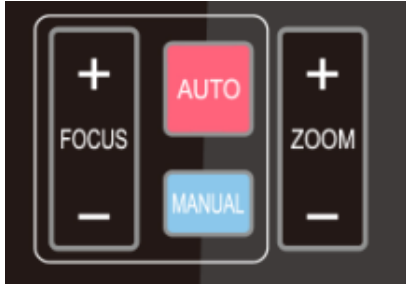


## 2. Camera Selection



Select the camera's address to control it.

## 3. Focus Control



**Auto:** Auto focus mode

**Manual:** Manual focus mode

**Focus + (near):** Press【FOCUS +】key (Valid only in manual focus mode)

**Focus - (far):** Press【FOCUS -】key (Valid only in manual focus mode)

Press and hold the keys, focusing will continue and stop based on the key being pressed and released.

## 4. Zoom Control



**ZOOM +:** press【ZOOM +】key to zoom in

**ZOOM - :** press 【ZOOM -】key to zoom out

Press and hold the keys, the action of zoom will continue until the key is released.

## 5. Set and Clear Presets



**Set Preset:** press 【SET PRESET】 button, and then press the number key 0-9 to set preset positions.

**Note:** 10 presets are available via the remote control.

**Call Preset:** Press a number key (0-9) to call a preset position.

**Clear Preset:** Press【CLEAR PRESET】and then press the number key 0-9 to clear the preset position.

**Note:** press the【#】 key three times to clear all presets.





## 6. Menu Setting



- 【MENU】: Open / close the OSD menu
- 【HOME】: Camera lens back to the middle position; Confirm button; Enter next menu
- 【↑】【↓】: Choose item
- 【←】【→】: Modify values
- 【BLC ON/OFF】: Turn on or off the back light compensation

## Menu Introduction

### Main menu

In normal working mode, press 【MENU】 key to display the menu, and use the up and down arrows to select a menu item.

- 1) **Language:** Move the pointer to (Language) in the main menu, and press the [←→] key to modify language.
- 2) **Image Style:** Move the pointer to (Image Style) in the main menu, and press the [←→] key to modify the style default / Beauty / Jewelry
- 3) **Anchor:** Move the pointer to (Anchor) in the main menu, and press the [←→] key to modify the 1-4 host numbers; Image parameters can be modified manually under different host numbers, and can be saved after power failure.
- 4) **Exposure Setting:** Move the pointer to (EXPOSURE) in the Main Menu, click【HOME】to enter the Exposure sub menu as shown below:
  - Mode:** Auto, Manual, Shutter priority and Brightness priority.
  - EV:** On/Off (only available in auto mode)
  - Compensation Level:** -7~7 (only available in auto mode when EV is ON)
  - BLC:** ON/OFF for options (only available in auto mode)
  - Dynamic Range:** 1~8, close

**MENU**

=====

Language	English
Image Style	Default
Anchor	1
(Color)	
(Image)	
(Focus)	
(Noise Reduction)	
(Focus)	
(Video Format)	
(Version)	
(Restore Default)	

| ↑ ↓ |Select |← →|Change Value  
|Menu|Back|Home|OK

**EXPOSURE**

=====

Mode	Auto
EV	OFF
BLC	OFF
Flicker	50Hz
G.Limit	3
DRC	2

| ↑ ↓ |Select |← →|Change Value  
|Menu|Back|Home|OK



**Anti-Flicker:** OFF/50Hz/60Hz for options (only available in Auto/Iris priority/Brightness priority modes)

**Gain limit:** 0~15(only available in Auto/ Iris priority /Brightness priority mode)

**WDR:** Off, 1~8

**ShutterPriority:** 1/25, 1/30, 1/50, 1/60, 1/90, 1/100, 1/120, 1/180, 1/250, 1/350, 1/500, 1/1000, 1/2000, 1/3000, 1/4000, 1/6000, 1/10000 (only available in Manual and Shutter priority mode)

**Brightness:** 0~23 (only available in Brightness priority mode)

5) **Color:** Move the pointer to (COLOR) in the Main Menu, click[HOME]to enter the COLOR sub menu:

**WB Mode:** Auto, Manual, One Push, Specified color temperature

**Saturation:** 60%, 70%, 80%, 90%, 100%, 110%, 120%, 130%, 140%, 150%, 160%, 170%, 180%, 190%, 200%

**Red fine-tuning:** -10~10 (only available in automatic mode)

**Blue fine-tunable:** -10~10 (only available in automatic mode)

**RED GAIN:** 0~255(only available in Manual mode)

**BLUE GAIN:** 0~255(only available in Manual mode)

**AWB Sensitivity:** high/middle/low

**Chroma:** 0~14

COLOR	
WB Mode	Auto
RG Tuning	0
BG Tuning	0
Saturation	100%
Hue	7
AWB Sensitivity	High
[ ↑ ↓ ]Select [← →]Change Value [Menu]Back[Home]OK	

6) **Image:** Move the pointer to the (IMAGE) in the Menu, click[HOME]to enter the IMAGE sub menu:

**Brightness:** 0~14

**Contrast:** 0~14

**Sharpness:** 0~15

**Flip-H:** On/Off

**Flip-V:** On/Off

**B&W Mode:** color, black/white

**Gamma:** Default/0.45/0.50/0.55/0.63

**DCI:** Dynamic Contrast: Off/1~8

**Minimum Illumination:** On/Off

IMAGE	
Brightness	7
Contrast	7
Sharpness	4
Flip-H	OFF
Flip-V	OFF
B&W-Mode	Color
Gamma	Default
DCI	Close
Low-Light Mode	Close
[ ↑ ↓ ]Select [← →]Change Value [Menu]Back[Home]OK	



7) **Noise Reduction:** Move the pointer to the (NOISE REDUCTION) in the Menu, click[HOME]to enter NOISE REDUCTION:

**2D Noise Reduction:** Auto, close, 1~7

**3D Noise Reduction:** Close, 1~8

**Dynamic Hot Pixel:** Close, 1~5

NOISE REDUCTION	
=====	
NR-2D	2
NR-3D	5
Dynamic Hot Pixel	OFF
[ ↑ ↓ ]Select [ ← → ]Change Value	
[Menu]Back[Home]OK	

8) **Focus:** Move the pointer to the (FOCUS) in the Menu, click[HOME]to enter FOCUS:

**Focus Mode:** Auto/manual

**Focus Assist:** On/Off

**AF-Zone:** Up/middle/down

**AF-Sensitivity:** High/middle/low

FOCUS	
=====	
Focus Mode	Auto
Focus Auxiliary	ON
AF-Zone	Center
AF-Sensitivity	Low
[ ↑ ↓ ]Select [ ← → ]Change Value	
[Menu]Back[Home]OK	

9) **Video Format:** Move the pointer to the (Video Format) in the Menu, click[HOME]to enter Video Format:

VIDEO FORMAT	
=====	
1080I60	
1080I50	
1080P30	
1080P25	
720P60	
720P50	
[ ↑ ↓ ]Select	
[Menu]Back[Home]OK	

10) **Version:** Move the pointer to the (VERSION) in the Main Menu, click[HOME]to enter VERSION:

VERSION		
=====		
Cam Version	1.0.0	2019-12-18
AFocus Version	1.0.0	2018-11-20
[Menu]Back		

11) **Restore Default:** Move the pointer to (RESTORE DEFAULT) in the Main Menu, click[HOME]to enter RESTORE DEFAULT:

**Restore default:** YES/NO.

Restore factory default only restores the image parameters under the current host number (Color style and video format cannot be restored to factory default)

RESTORE DEFAULT	
=====	
Restore Default?	NO
[ ↑ ↓ ]Select [ ← → ]Change Value	
[Menu]Back[Home]OK	



## Maintenance and Troubleshooting

---

### 4.1 Camera Maintenance

---

- 1) Power off the camera and disconnect the power adapter and socket if the unit is not used for an extended period of time.
- 2) Use soft cloth or tissue to clean the camera cover.
- 3) Wipe with a soft dry cloth when cleaning the camera lens. Wipe it gently with a mild detergent if needed. Do not use strong or corrosive detergents to avoid scratching the lens and affecting the video quality.

### 4.2 Troubleshooting

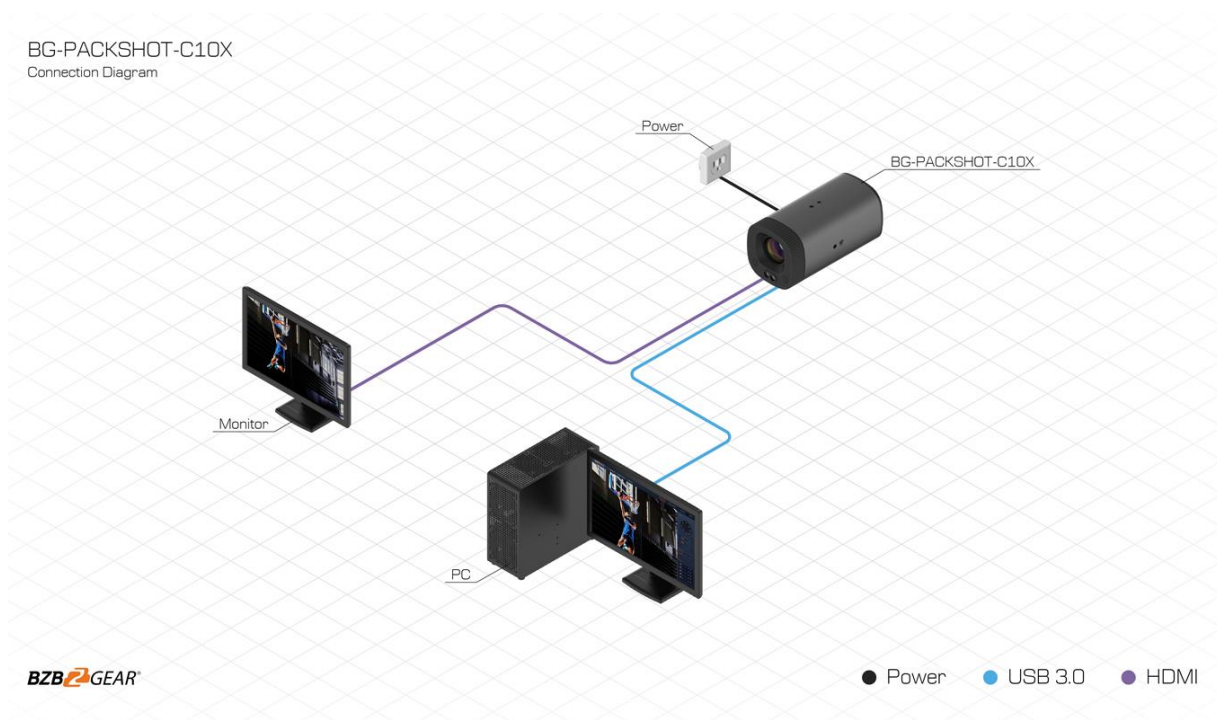
---

- 1) No video output
  - a. Check whether the device is connected to the USB cable and whether the power indicator is on
  - b. Check whether the device is in standby state, long press the power button for 3s to see whether it can be turned on
  - c. Restart the computer
  - d. Check the video output cable
  - e. Check whether the device is recognized, unplug the device and reconnect when it is displayed in the device manager
- 2) Remote control not working
  - a. Re-code the wireless remote control to the camera
  - b. Remote control address is set to 1 (if the machine is set back to the factory defaults, remote control addresses need to be back to 1 too)
  - c. Check whether the battery is installed on the remote controller or low
  - d. Check the camera working mode is the normal operating mode



## Application Example

BG-PACKSHOT-C10X  
Connection Diagram





## Tech Support

---

Have technical questions? We may have answered them already!

Please visit BZBGear's support page ([bzbgear.com/support](http://bzbgear.com/support)) for helpful information and tips regarding our products. Here you will find our Knowledge Base ([bzbgear.com/knowledge-base](http://bzbgear.com/knowledge-base)) with detailed tutorials, quick start guides, and step-by-step troubleshooting instructions. Or explore our YouTube channel, BZB TV ([youtube.com/c/BZBTVchannel](http://youtube.com/c/BZBTVchannel)), for help setting up, configuring, and other helpful how-to videos about our gear.

Need more in-depth support? Connect with one of our technical specialists directly:

<u>Phone</u>	<u>Email</u>	<u>Live Chat</u>
1.888.499.9906	<a href="mailto:support@bzbgear.com">support@bzbgear.com</a>	<a href="http://bzbgear.com">bzbgear.com</a>

## Warranty

---

BZBGear Pro AV products and cameras come with a three-year warranty. An extended two-year warranty is available for our cameras upon registration for a total of five years.

For complete warranty information, please visit [bzbgear.com/warranty](http://bzbgear.com/warranty).

For questions, please call 1.888.499.9906 or email [support@bzbgear.com](mailto:support@bzbgear.com).

## Mission Statement

---

BZBGear is a breakthrough manufacturer of high-quality, innovative audiovisual equipment ranging from AVoIP, professional broadcasting, conferencing, home theater, to live streaming solutions. We pride ourselves on unparalleled customer support and services. Our team offers system design consultation, and highly reviewed technical support for all the products in our catalog. BZBGear delivers quality products designed with users in mind.

## Copyright

---

All the contents in this manual and its copyright are owned by BZBGear. No one is allowed to imitate, copy, or translate this manual without BZBGear's permission. This manual contains no guarantee, standpoint expression or other implies in any form. Product specification and information in this manual is for reference only and subject to change without notice.

**All rights reserved.** No reproducing is allowed without acknowledgement.